

4

3

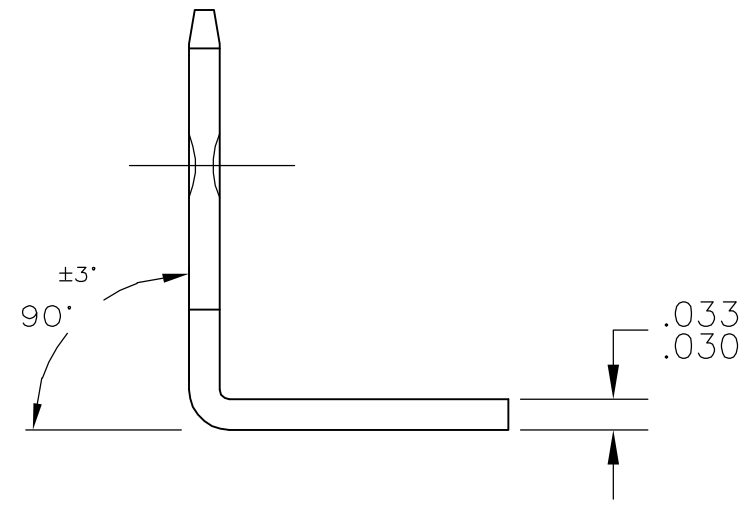
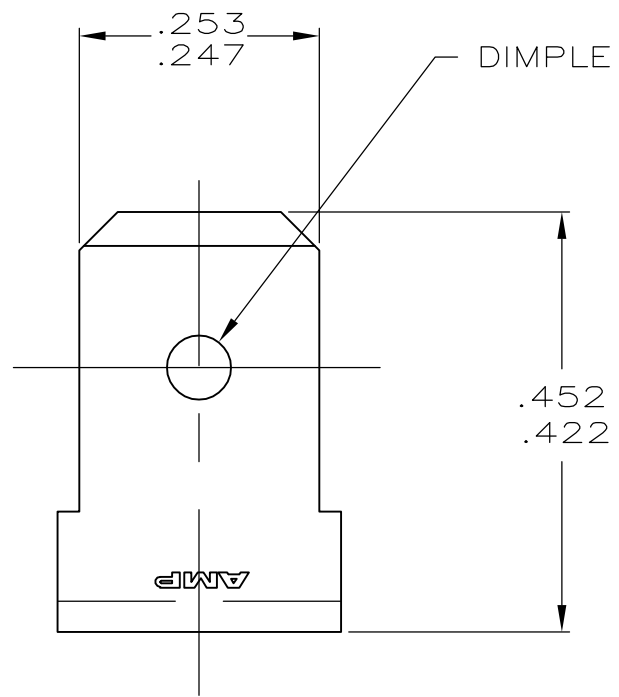
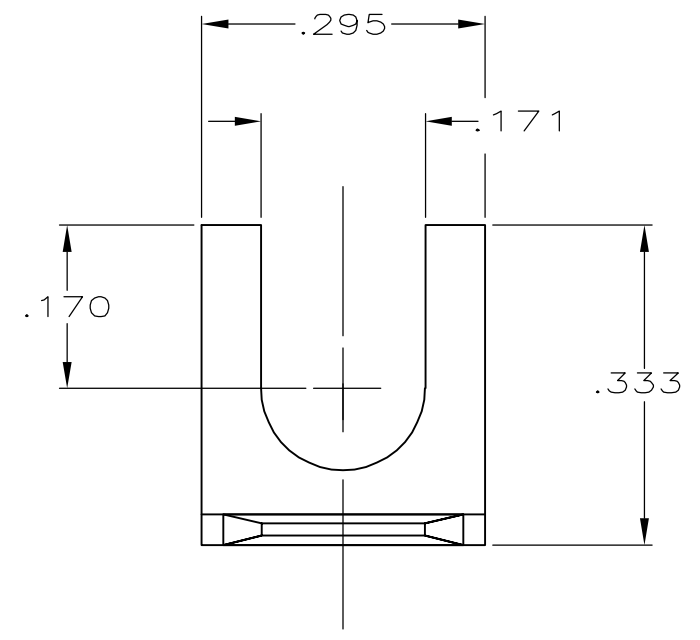
2

1

THIS DRAWING IS UNPUBLISHED. RELEASED FOR PUBLICATION
 © COPYRIGHT - BY TYCO ELECTRONICS CORPORATION. ALL RIGHTS RESERVED.

LOC	DIST	REVISIONS			
P	LTR	DESCRIPTION	DATE	DWN	APVD
AF	50	J	REV PER ECR-05-017287	10APR06	HMR JR

1 SUPPLIED IN LOOSE PIECE.



62166-1
PART NO.

THIS DRAWING IS A CONTROLLED DOCUMENT.		DWN	JR RUTH	5/13/98	 Tyco Electronics Corporation Harrisburg, PA 17105-3608
DIMENSIONS: INCHES		CHK	MS FEHER	5/13/98	
		APVD	J WORMAN	5/13/98	
TOLERANCES UNLESS OTHERWISE SPECIFIED:		PRODUCT SPEC		NAME	
0 PLC ± - 1 PLC ± - 2 PLC ± - 3 PLC ± .015 4 PLC ± - ANGLES ± -		APPLICATION SPEC		TAB, FASTON, .250 SERIES	
MATERIAL: 082 BRASS		WEIGHT: -		SIZE: A3	RESTRICTED TO: -
FINISH: -		CUSTOMER DRAWING		CAGE CODE: 00779	DRAWING NO: C-62166
		SCALE: 5:1		SHEET: 1 OF 1	REV: J